

TOWER COMPONENTS



Reservoir base



Reservoir lid



Tower sections (x3)



Baby Greens sections (x2)



Shower cap & lid



Water pump



Swivel hose



Timer



Access Port lid



Water monitor



23" rod (x2)

15" rod (x2)



Wingnuts (x7), bolts (x3), washers (x4)

GROWING & MAINTENANCE



Germination tray (x2)



Rockwool cubes



Starter seed packs



Vermiculite



Mineral blends (x2)



pH Kit



Measuring cup



Drain pipe



Net pots

LED GROW LIGHT KIT (optional)



LED light base



LED lamps (x4)



Cord conduit

TOWER ASSEMBLY

1

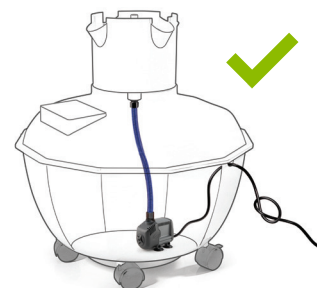


Use 13mm wrench. Caution: Do not overtighten.

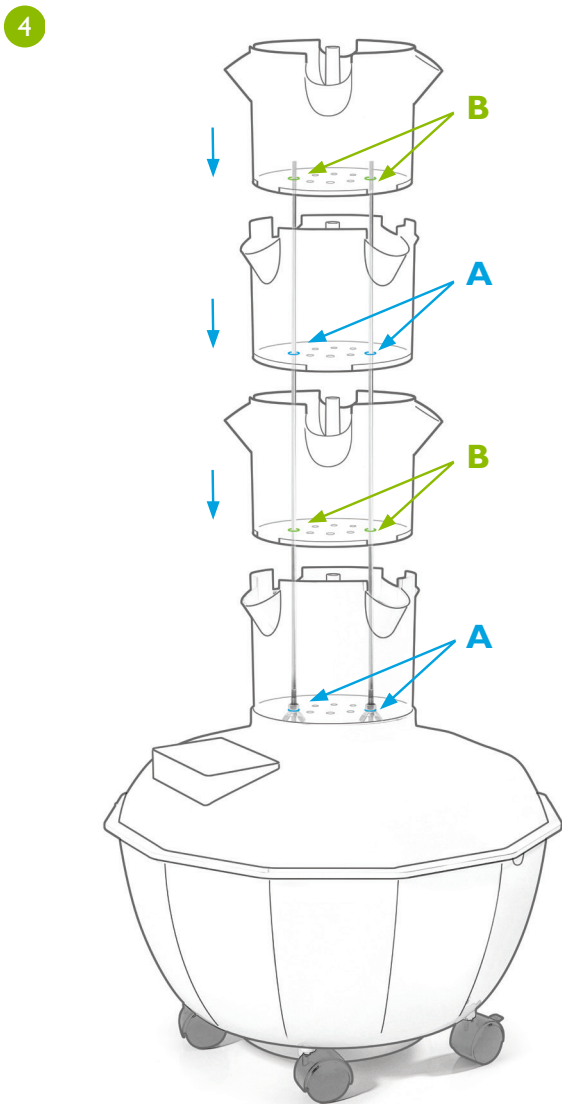
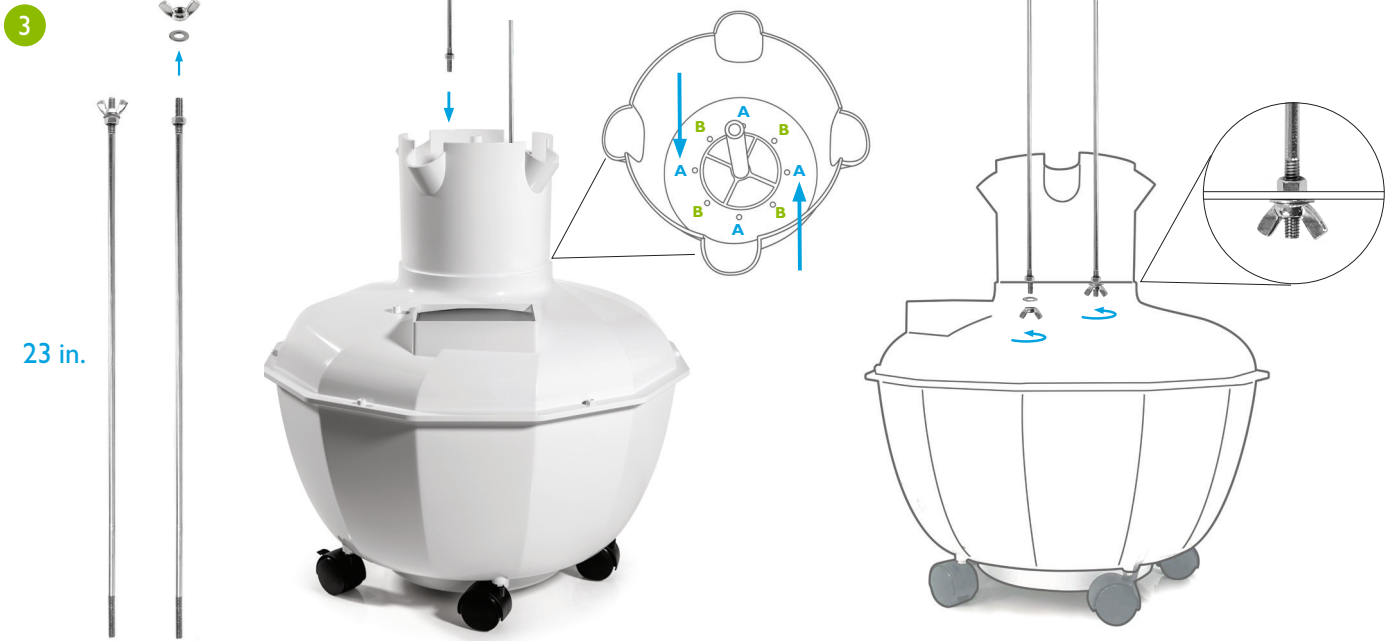
2



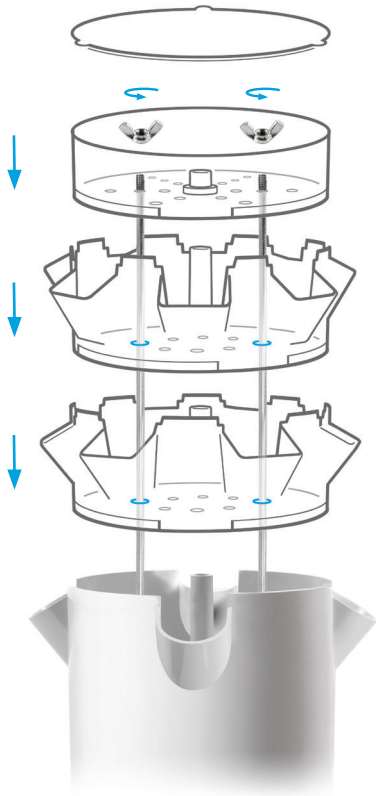
**DO NOT** plug in pump until assembly is complete and reservoir has been filled



Tie loop to prevent water from running down cord to outlet



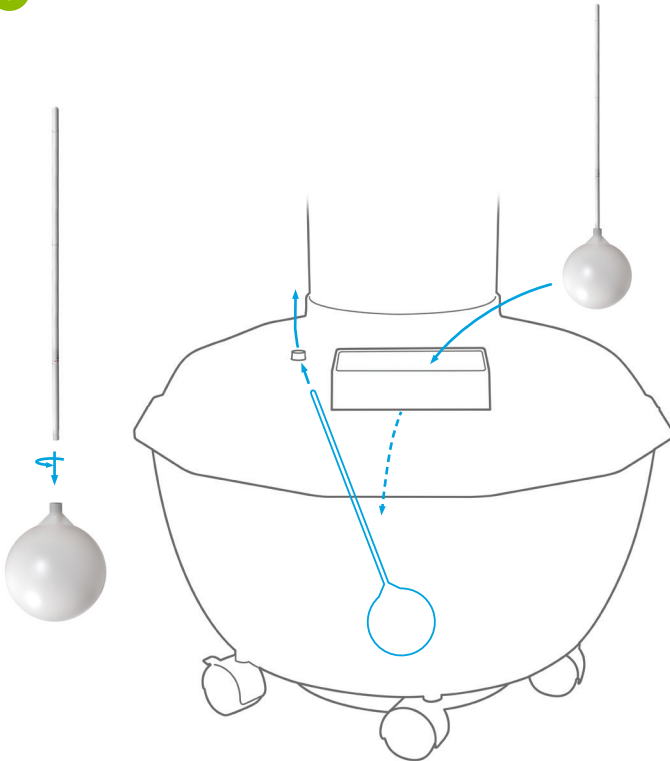
6



7



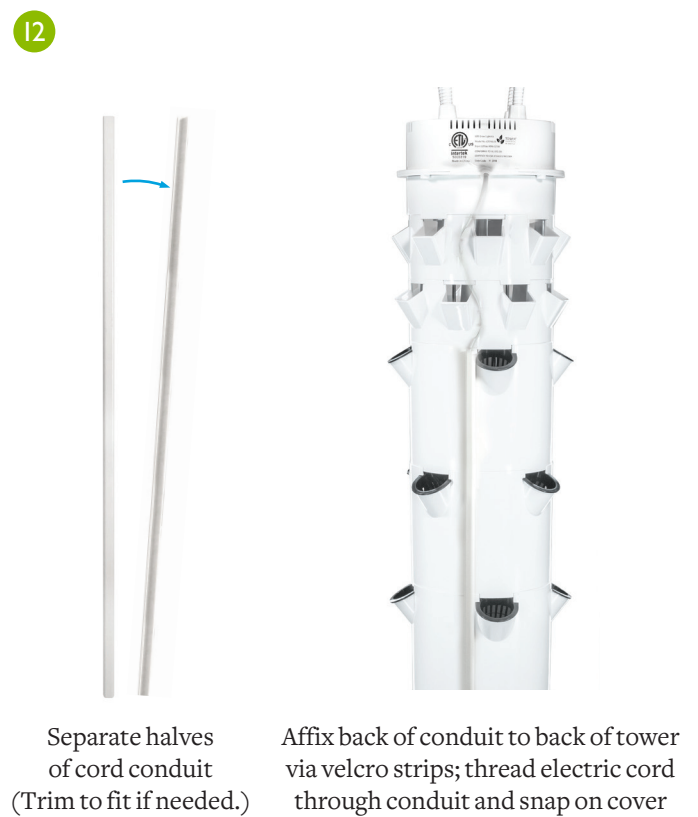
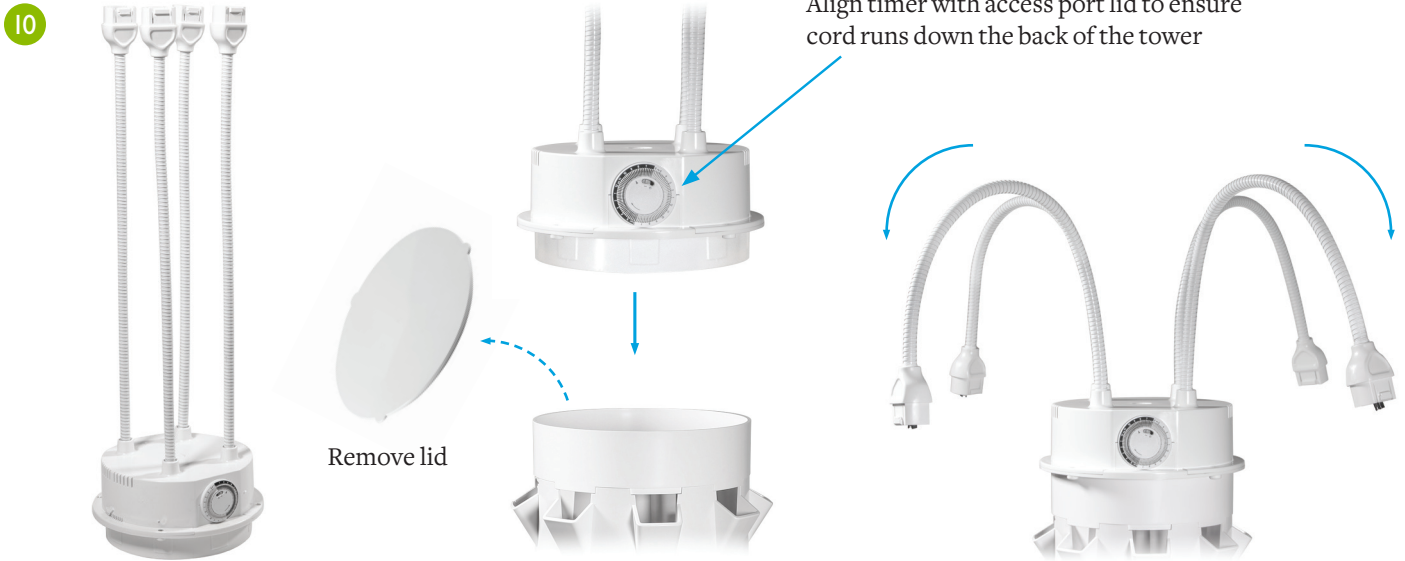
8



9



## OPTIONAL LIGHT KIT



Refer to Growing Guide for additional instructions and to start growing.